



Geometry H'wrk Tension

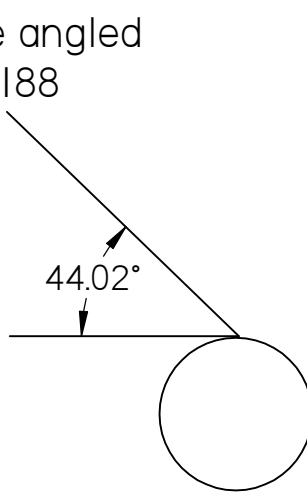
Clark Senior High

Hwrk_Trig_Tensile_strength_angled_1.dft

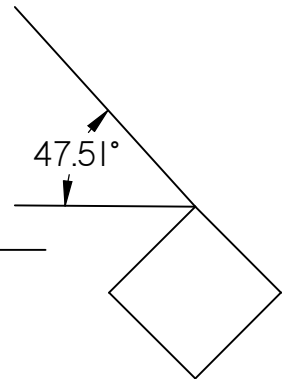
Name _____

Solve for the unknowns indicated. x.xxx

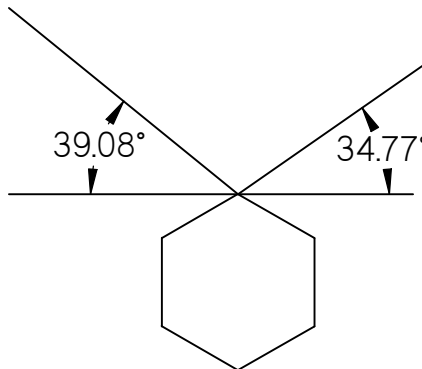
1. Calculate the tension on the angled support cable supporting the 188 pound sign.



2. Calculate the tension on the angled support cable supporting the 323 pound object.



3. Calculate the tension on the angled support cables supporting the 543 pound sign.



4. Calculate the tension on the angled support cables supporting the 642 pound sign.

