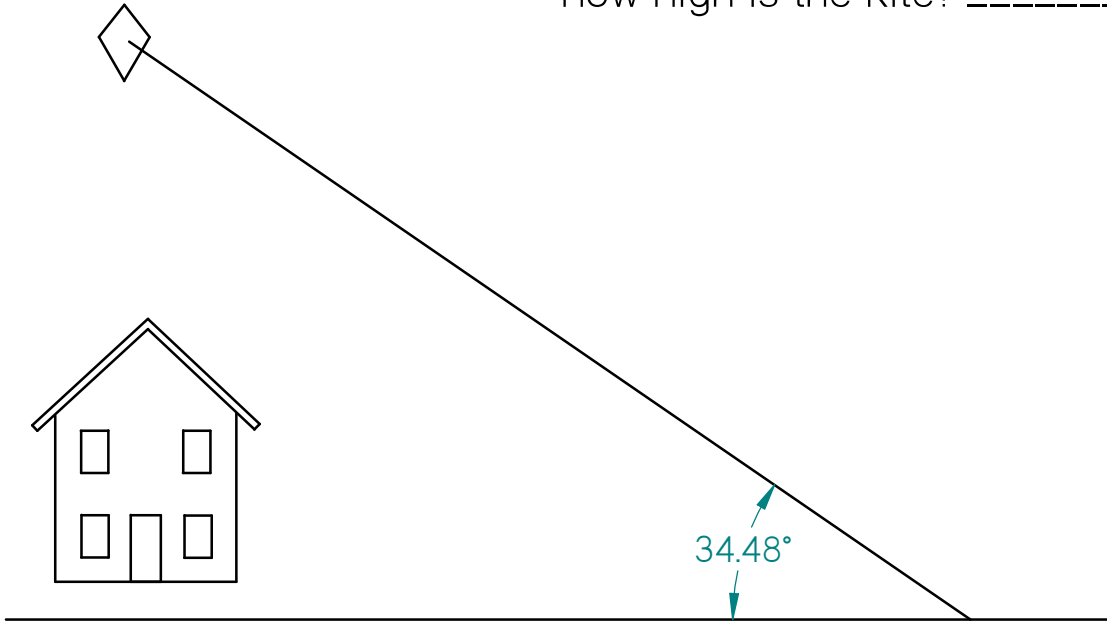


8. If the kite string is 112 feet.

How far from the kite flyer is the Kite actually flying? _____

How High is the Kite? _____



9. The following three pulley system.

Calculate the Horizontal and Vertical distance between the pulleys.

