

Geometry Torque

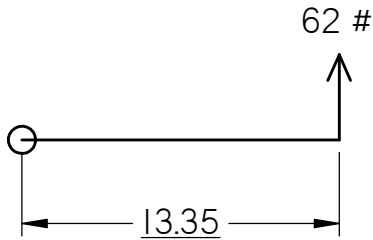
Clark Senior High
Geometry Hwrk Torque.dft

Name _____

Solve for the unknowns indicated. x.xxx

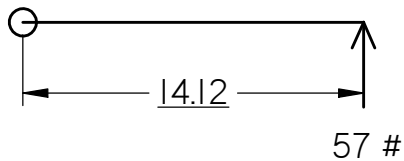
Calculate the indicated missing dimensions.

1.



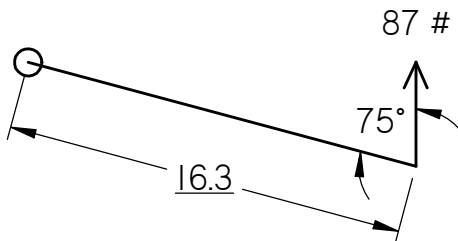
_____ Inch pounds = _____ Foot pounds

2.



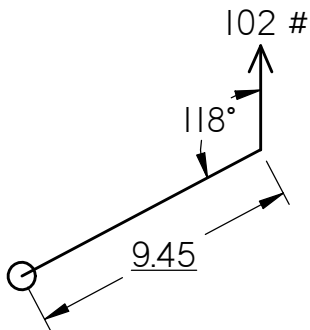
_____ Inch pounds = _____ Foot pounds

3.



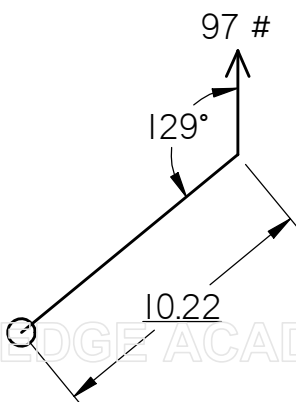
_____ Inch pounds = _____ Foot pounds

4.



_____ Inch pounds = _____ Foot pounds

5.



_____ Inch pounds = _____ Foot pounds